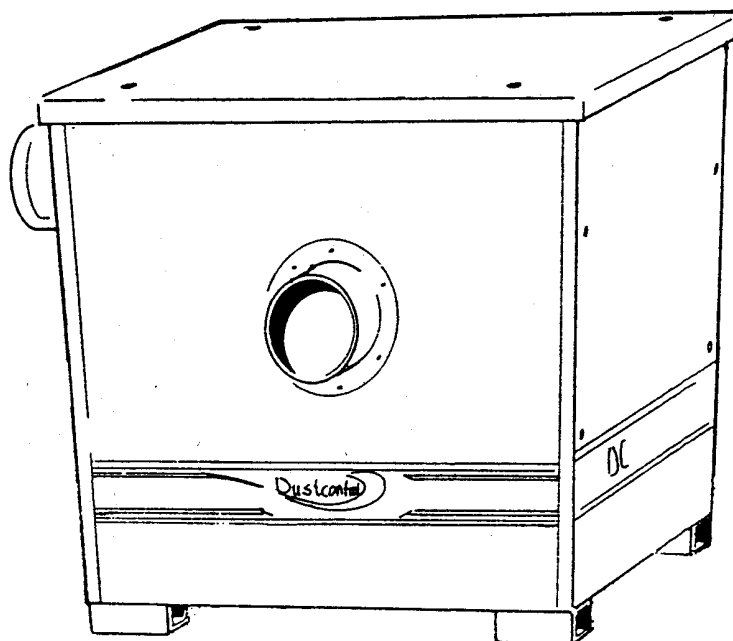


MANUAL RAF 1600

Serial number:.....

TECHNICAL DATA
ACCESSORIES
SYSTEM DESCRIPTION
INSTALLATION
TEST RUNNING
SAFETY CONSIDERATIONS
TROUBLE SHOOTING
WARRANTY
SPARE PARTS



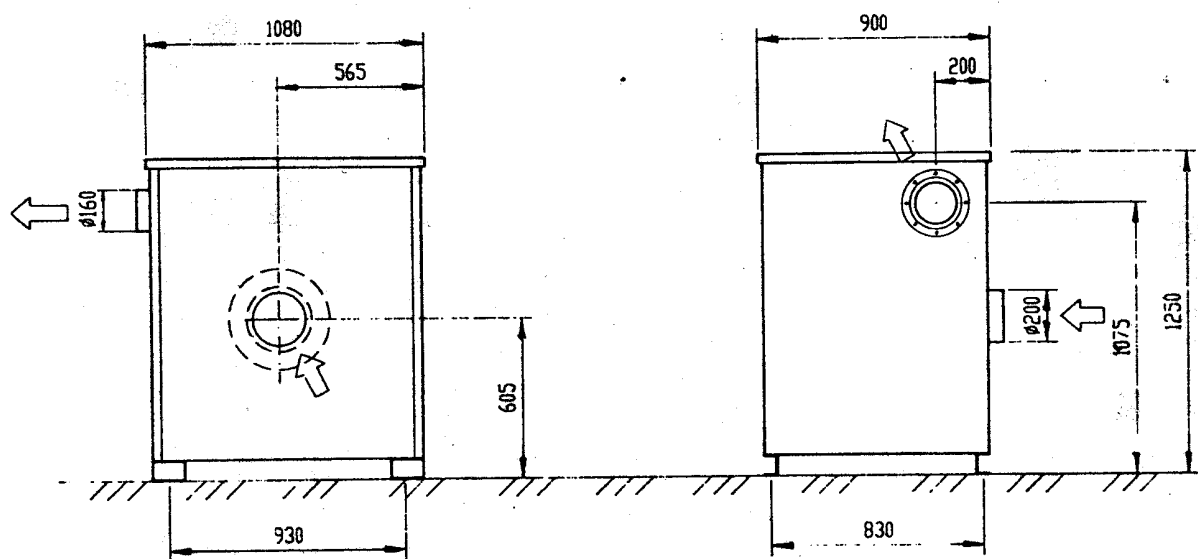
Dustcontrol reserves the right to alter specifications without notice and is not obligated to alter previously produced machines.

Dustcontrol is not responsible for printing errors in this manual.

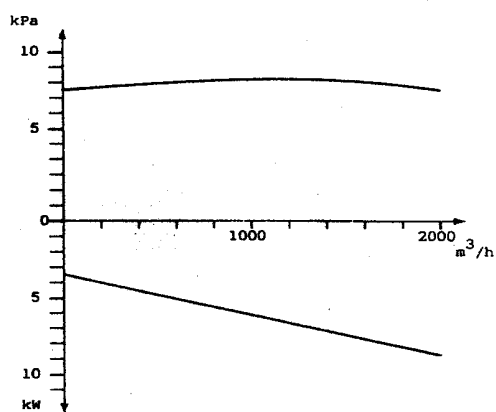
TECHNICAL DATA

Power consumption	7,5 kW
RPM	3000/3600
Neg. pressure	max 7,7 kPa
Air flow	max 2000 m ³ /h
Weight	290 kg
Sound level with inline silencer	68 dB(A)
Inlet/outlet	ø200/160mm

DIMENSIONS



Capacity and power consumption



Motor Power Rating

Art nr 112005, 440V/60Hz, 8,6 kW
 Art nr 112006, 600V/60Hz, 9 kW
 Others 7,5 kW

ACCESSORIES

Silencer

length mm	connection ϕ mm	outside ϕ mm	art nr
1200	160	360	3182
600	160	260	3184
600	160	355	3183
670	100	200	4476
360	100	200	4942
360	80	180	3195

SYSTEM DESCRIPTION

Radial fan. Dustcontrols fans are so called radial fans. The air is introduced into the fan at the centre of the fan wheel and is forced outward to the fan housing and through the outlet by the centrifugal force.

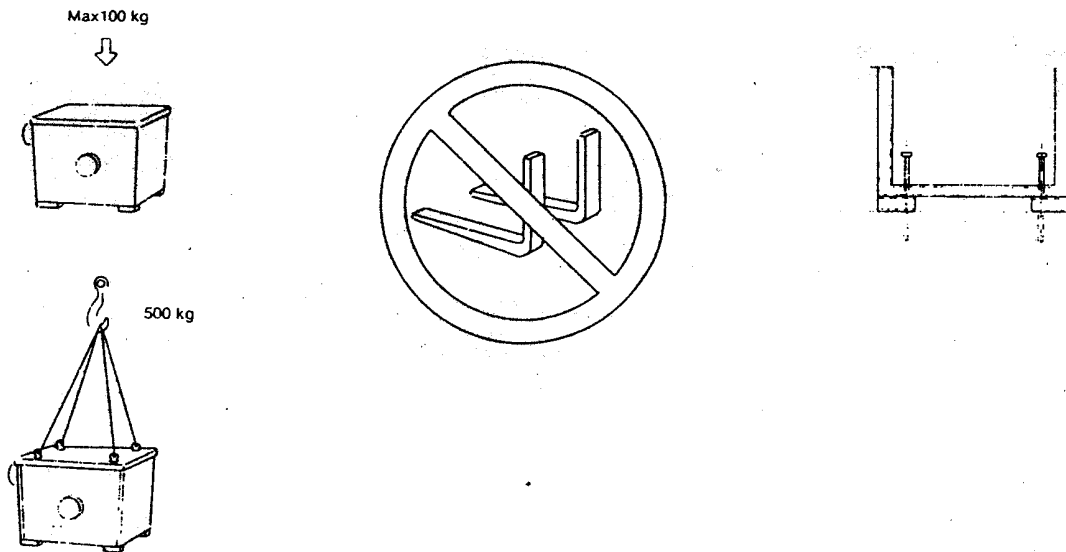
Direct driven. The fans are direct driven with maintenance free motors. Lubrication points are available on the motor if specified when ordering.

Silencing. The fan is equipped with vibration isolators and high quality sound insulation. External inline silencing on the outlet can be installed as required.

Maintenance free. The fan is maintenance free unless the motor is equipped with lubrication points. In this case the manufacturers guidelines should be followed.

INSTALLATION**Handling**

Do not lift from this side The fan should be mounted on a concrete pad



1. Ancor the fan to the concrete pad.
2. Connect the ducting to both the inlet and the outlet of the fan before starting. This fan is an overload type fan and will not function correctly without being connected to the ductwork giving sufficient restriction.
3. The electrical connections may only be made by a qualified electrician. A separate lockable disconnect should be installed next to the fan. Check for correct motor rotation.
4. Thermal overload protection must be installed according to the prevailing electrical code and adjusted by a qualified electrical technician.
5. Extra silencing can be installed if the outlet sound level is to be lowered from 100 dB(A)~70 dB(A).
6. If the outlet is vertical, rain protection should be installed.

TEST RUNNING

1. Close all inlets so that the fan can be started without problem.
2. Open all outlets the system is designed for and check the pressure as well as the motor current draw.
3. Run the fan at maximum flow for 15 minutes to check the setting of the thermal overload protection.

SAFETY CONSIDERATIONS

- The equipment must be installed and maintained properly by qualified personnel. Dustcontrol does not take responsibility for defective installation or maintenance.
- The electrical connections may only be performed by a certified electrician.
- A separate lockable disconnect must be installed where it is readily accessible to the pump.
- Never let the suction come into contact with the body. The fan develops enough vacuum to cause severe injury to the eyes, ears etc.
- Exhaust air can be very hot, up to 150 °C.
- Do not start the fan unless it is connected to the ductwork.

TROUBLE SHOOTING

- * Motor will not run.
 - Electrical supply is not connected, connect.
 - Thermal overload tripped, wait 5 minutes and reset.
 - Electrical power does not reach the machine, a qualified electrician should check supply.
 - Electrical disconnect locked out, find the person responsible for the lock out and check to see if system is clear for operation, reverse the lock out.
- * The motor stops directly after starting.
 - Incorrect fuse, change to correct fuse rating and type.
 - The thermal overloads incorrectly set, electrician should be called for investigate.
- * Fan runs but no suction.
 - Suction hose not connected, connect the hose.
 - Plugged tubing or hoses, clean.
 - The plastic sack or container not firmly attached to the bottom of the cyclone, secure.
 - Pump rotation backwards, electrician should change phases.
- * Fan runs but poor suction.
 - Leakage in the ductwork, locate and repair.
 - Filter plugged, clean or change filter.
- * Abnormal sound from the fan.
 - Order service.

WARRANTY

The warranty period is for one full year of single shift operation or equivalent in multishift operation.

The warranty covers manufacturing defects. This warranty is null and void for machines equipped with other than original spare parts. Warranty repairs must be performed by Dustcontrol or their authorized representatives. Unauthorized repairs render this warranty null and void.

Reservdelar Spare Parts Ersatzteile
RAF 1600, RAF 2500

497610 Gehäuse (15 kW)
 497702 Rad (15 kW 50 Hz)
 498301 Rad (15 kW 60 Hz)

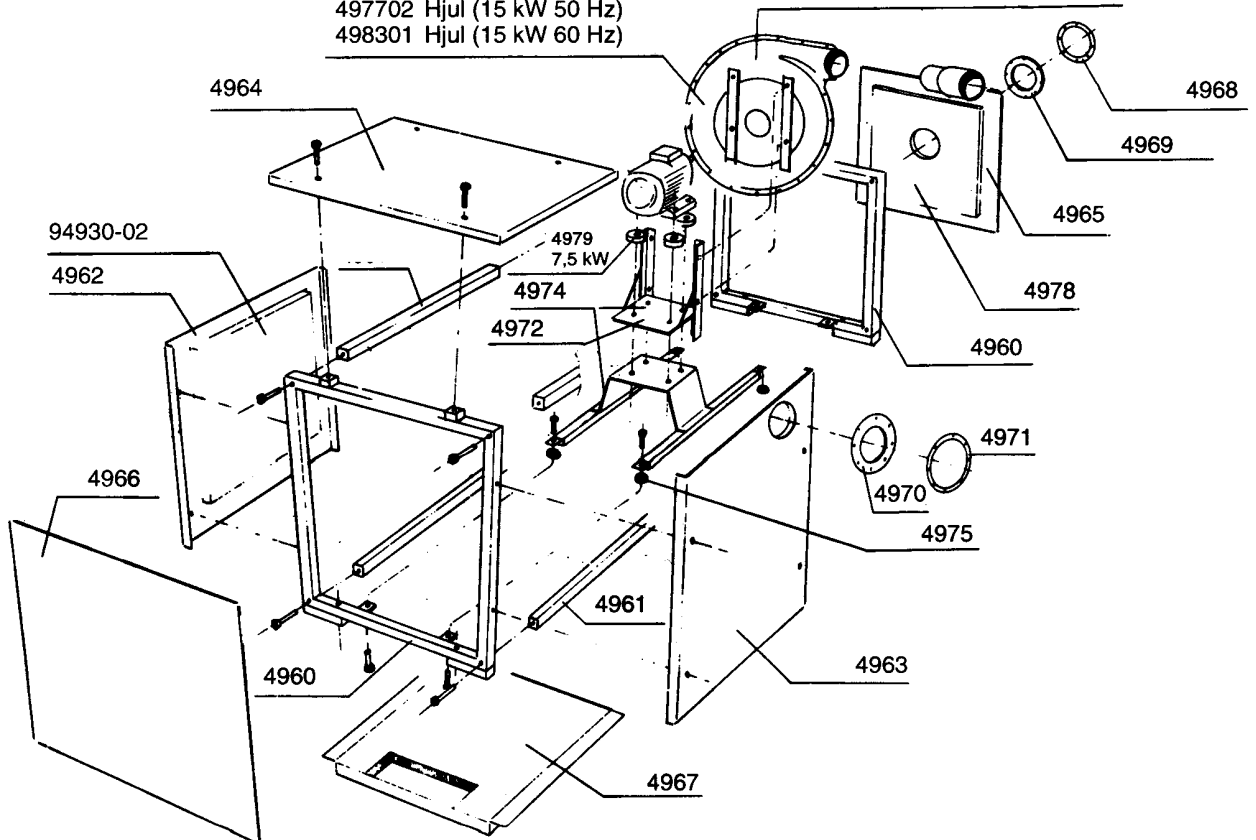
497610 Wheel (15 kW)
 497702 Wheel (15 kW 50 Hz)
 498301 Wheel (15 kW 60 Hz)

497610 Hus (15 kW)
 497702 Hjul (15 kW 50 Hz)
 498301 Hjul (15 kW 60 Hz)

497610 Gehäuse (7,5 kW)
 498101 Rad (7,5 kW 50 Hz)
 498401 Rad (7,5 kW 60 Hz)

497610 Housing (7,5 kW)
 498101 Wheel (7,5 kW 50 Hz)
 498401 Wheel (7,5 kW 60 Hz)

497610 Hus (7,5 kW)
 498101 Hjul (7,5 kW 50 Hz)
 498401 Hjul (7,5 kW 60 Hz)



Art. nr Benämning

4960 Stativsida
 4961 Stag
 4962 Sidoplåt A
 4963 Sidoplåt B
 4964 Takplåt
 4965 Sidoplåt C
 4966 Sidoplåt D
 4967 Bottenplåt
 4968 Fläns
 4969 Gummitätning
 4970 Gummitätning
 4971 Fläns Utlopp D=280/200
 4972 Motorkonsol
 4974 Fundament
 4975 Vibrationsdämpare
 497610 Fläkthus RAF 2500
 497702 Fläkthjul 15 kW 50 Hz
 4978 Bullerskiva
 4979 Distans
 4980 Fläkthus RAF 1600
 498101 Hjul 7,5 kW 50 Hz
 498301 Hjul 15 kW 60 Hz
 498401 Hjul 7,5 kW 60 Hz

Part No Description

4960 Frame side
 4961 Frame strut
 4962 Side panel A
 4963 Side panel B
 4964 Top panel
 4965 Side panel C
 4966 Side panel D
 4967 Bottom panel
 4968 Flange
 4969 Rubber seal
 4970 Rubber seal
 4971 Flange outlet D=280/200
 4972 Motor bracket
 4974 Motor support
 4975 Vibration damper
 497610 Fan housing RAF 2500
 497702 Wheel 15 kW 50 Hz
 4978 Noise absorbant
 4979 Spacer
 4980 Fan housing RAF 1600
 498101 Wheel 7.5 kW 50 Hz
 498301 Wheel 15 kW 60 Hz
 498401 Wheel 7.5 kW 60 Hz

Art. Nr. Benennung

4960 Rahmen
 4961 Stütze
 4962 Seitenabdeckblech A
 4963 Seitenabdeckblech B
 4964 Abdeckblech, oben
 4965 Seitenabdeckblech C
 4966 Seitenabdeckblech D
 4967 Grundblech
 4968 Flansch
 4969 Gummidichtung
 4970 Gummidichtung
 4971 Flansch
 4972 Motorkonsole
 4974 Motorbefestigung
 4975 Vibrationsdämpfer
 497610 Gehäuse und Deckel RAF 2500
 497702 Ventilatorrad 15 kW 50 Hz
 4978 Geräuschschutz
 4979 Distanz
 4980 Gehäuse und Deckel RAF 1600
 498101 Ventilatorrad 7,5 kW 50 Hz
 498301 Rad 15 kW 60 Hz
 498401 Rad 7,5 kW 60 Hz